
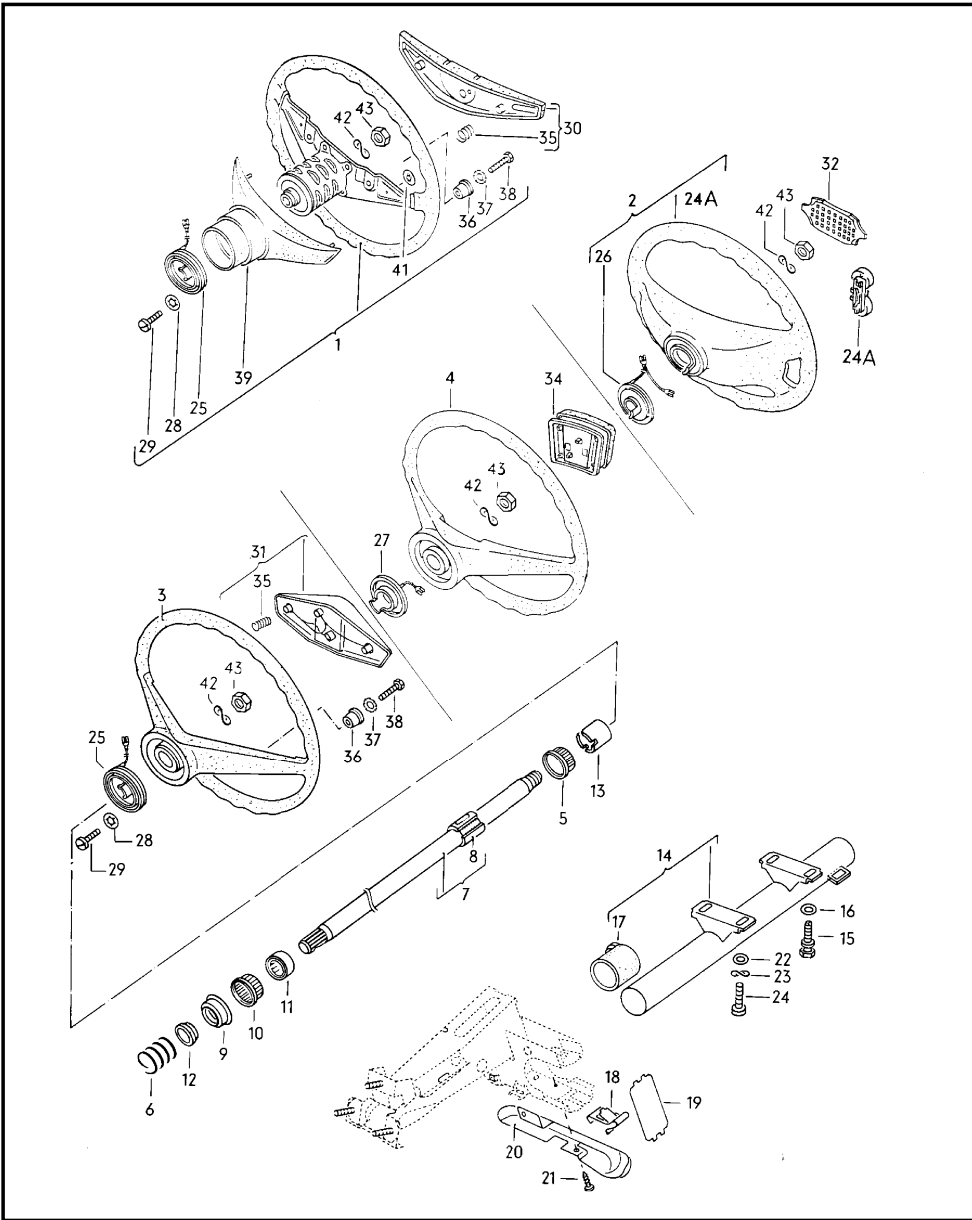



Model	Year	MG	SG	Illustration	Restrictions	UPD	13:31	31.10.2010		ETKA
JEG	1984	4	19	104-00		666				



Pos	Part Number	Name	Remarks	Qty	Model
(1)	---	steering wheel steering column		1	
		no longer available			
(2)	191 419 091 B	sports steering wheel		1	
	08/81-02/8401C	satin black			
(2)	191 419 091 E	sports steering wheel (leather)		1	
	08/81-02/841BX	black			
3	171 419 655 A	steering wheel, padded for vehicles with passive restraint system		1	RABBIT CONV. JETTA
	08/81-02/8401C	satin black			
	08/81-02/8490V	saddle brown			
		replacement:	171 419 655 A (01C)		
5	175 419 341 A	thrust ring		X	
6	171 419 343 A	pressure spring	lhd	1	
(7)	171 419 503 A	steering column		1	
8	c 111 415 521 D	locking shell		2	
9	171 419 517 B	ball bearing		1	
10	171 419 517	needle bearing -		1	
11	171 419 518 A	needle bearing race	inner	1	
12	171 419 539	thrust ring		1	
13	171 419 549	sleeve		1	
14	171 419 563 C	steering column tube	lhd	1	
17	171 419 587 B	support ring	lhd	1	
18	171 419 589	clamp	lhd	1	
19	171 419 591	flat spring	lhd	1	
20	171 419 597	protective cap	lhd	1	
21	+ N 013 965 5	tapping screw, fill. hd.	4, 2X9, 5	2	
22	+ N 011 525 20	washer	A8, 4X16X1, 6	4	
23	+ N 012 241 10	spring washer	8	4	
24	N 014 709 1	bolt, with hex. socket hd.	M8X22	4	
25	113 415 660 A	cancelling ring with slip ring		1	
		for steering wheel:	171 419 091 C 171 419 091 D 171 419 655 A		

Model	Year	MG	SG	Illustration	Restrictions	UPD	13:31	31.10.2010		ETKA
JEG	1984	4	19	104-00		666				

Pos	Part Number	Name	Remarks	Qty	Model	Pos	Part Number	Name	Remarks	Qty	Model
26	321 419 660	cancelling ring with slip ring for steering wheel:	171 419 091 J 191 419 091 B 191 419 091 E	1							
29	N 090 221 1	fill. hd. screw (combi.)	M3,5X10Z5	3							
30	--- --- ---	no longer available for steering wheel:	171 419 091 D	1							
		F >> 15-C-024 000*		1							
		F >> 16-C-770 000*		1							
31	--- --- ---	no longer available	padded	1							
(32)	191 419 669 B	pad for sports steering wheel		1	JETTA GLI						
	05/83-02/8401C	satin black									
35	171 419 697	pressure spring for steering wheel:	171 419 091 C 171 419 091 D 171 419 655 A	3							
36	321 419 779 A	insulating bushing		3							
37	+ N 012 121 2	shake-proof washer	4,3	3							
38	N 010 262 2	screw, hex. hd.	M4X20	3							
39	--- --- ---	no longer available		1							
41	2TA 853 582	clamping washer	3,7	2							
42	N 012 238 5	spring washer	16	1							
43	N 011 164 15	hex. nut	M16X1,5	1							